

point of sale

control & automation



pushbuttons
indicators
enclosures
contact blocks
contactors
relays & sockets
terminal boxes
enclosed starters
overloads
changeover switches
enclosed isolators
enclosed switches
cable terminals
footswitches
timers



available at your local trade outlet



control & automation products

IP65 Pushbuttons Ø22.5mm

Contact Rating @ 240V AC, Black Bezel
10A Resistive (AC1), 6A (AC15)

Model	Description
PB01C	Black Pushbutton
PB02C	Green Pushbutton
PB03C	Red Pushbutton
PB04C	2 Position Rotary Knob 120°
PB05C	3 Position Rotary Knob 60°
PB06C	Panel Accessory Kit Panel Collar with 1 NO + 1 NC Contact Block
PB07C	E-Stop Button Pull to Release 40mm
PB08C	E-Stop Button Key Release 40mm
PB09C	Red Mushroom Stop Button (non-latching) 40mm
PB10C	2 Position Key Switch 60°
PB11C	3 Position Key Switch 60°
PB13C	E-Stop Button Twist to Release 40mm "O" Marking
PB14C	Complete E-Stop Station Pull to Release 1NO + 1NC
PB15C	Complete E-Stop Station Twist to Release 1NO + 1NC
PB17C	Complete Palm/Foot E-Stop Station Twist to Release 2NC
PB19C	E-Stop Shroud 40mm Yellow
PB20C	Emergency Stop Disc Label
PB21C	Tightening Spanner Tool
PB40C	Pushbutton Double Head Green/Red

IP65 Indicators Ø22.5mm

Model	Description
PL04C	Red Pilot Light 230VAC
PL05C	Green Pilot Light 230VAC
PL06C	Red Pilot Light 24VAC/DC
PL07C	Green Pilot Light 24VAC/DC

IP65 Pushbutton Enclosures

Model	Description
EN01C	Single Button Enclosure
EN02C	Single Button Enclosure with Yellow Cover
EN03C	Double Button Enclosure
EN04C	Triple Button Enclosure

Contact Blocks

For Use With Pushbutton Enclosures,
Contact Rating @ 240V AC10A Resistive (AC1), 6A (AC15)

Model	Description
CT01C	Contact Block 1 NO + 1 NC
CT02C	Contact Block 2 NO
CT03C	Contact Block 2 NC



3 Pole NO Contactors

Model	AC1	AC3	Description
CR01C	25A	10A	240V Coil 1 NO Aux. Contact
CR02C	25A	10A	415V Coil 1 NO Aux. Contact
CR03C	32A	18A	240V Coil 1 NO Aux. Contact
CR04C	32A	18A	415V Coil 1 NO Aux. Contact
CR07C	50A	24A	240V Coil
CR08C	50A	24A	415V Coil
CR09C	80A	40A	240V Coil
CR10C	80A	40A	415V Coil
CR11C	110A	50A	240V Coil
CR12C	110A	50A	415V Coil

Other Voltages Available Upon Request

Auxiliary Contacts

AC01C	10A	-	1 NC Aux. Contact (2 pcs)
AC02C	10A	-	1 NO Aux. Contact (2 pcs)

4 Pole NO Contactors

Model	AC1	AC3	Description
CR06	25A	10A	240V Coil
CR32	32A	18A	240V Coil
CR33	45A	23A	240V Coil
CR34	80A	45A	240V Coil
CR35	100A	60A	240V Coil (Screw Fixing Mount Only)

Other Voltages Available Upon Request

Auxiliary Contacts

AC01C	10A	-	1 NC Aux. Contact (2 pcs)
AC02C	10A	-	1 NO Aux. Contact (2 pcs)

Modular Contactors

For Heating & Lighting Use

Model	Description
CR40C	Modular Contactor 20A 2 Pole 240V AC
CR46C	Modular Contactor 25A 2 Pole 240V AC
CR41C	Modular Contactor 25A 4 Pole 240V AC
CR44C	Modular Contactor 40A 2 Pole 240V AC
CR45C	Modular Contactor 63A 2 Pole 240V AC
CR42C	Modular Contactor 40A 4 Pole 240V AC
CR43C	Modular Contactor 63A 4 Pole 240V AC

Pushbutton Ordering Information

Panel Mounting Parts



Enclosure Mounting Parts



Relays

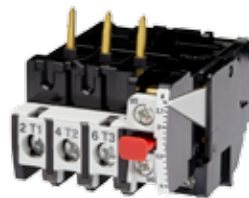
2/3/4 Pole Changeover Output

Model	Poles	Rating	Description
RL01C	2	10A	8 Pin 240V AC Relay
RL02C	3	10A	11 Pin 240V AC Relay
RL03C	2	10A	8 Pin 110V AC Relay
RL04C	3	10A	11 Pin 110V AC Relay
RL05C	2	10A	8 Pin 24V AC Relay
RL06C	2	10A	8 Pin 24V DC Relay
RL07C	3	10A	11 Pin 24V AC Relay
RL08C	3	10A	11 Pin 24V DC Relay
RL09C	2	10A	8 Pin 12V DC Relay
RL10C	3	10A	11 Pin 12V DC Relay
RL11C	4	5A	14 Pin 240V AC Relay
RL12C	4	5A	14 Pin 24V DC Relay
RL13C	4	5A	14 Pin 110V AC Relay
RL14C	4	5A	14 Pin 24V AC Relay
RL15C	4	5A	14 Pin 12V DC Relay
RL16C	2	10A	8 Pin 12V AC Relay
RL17C	3	10A	11 Pin 12V AC Relay



Sockets

Model	Description
BA01C	8 Pin Base for DPCO Relay
BA02C	11 Pin Base for 3PCO Relay
BA03C	14 Pin Base for 4PCO Relay



Contactors / Relay Enclosure

Model	Description
EN05C	IP65 Enclosure 89x180x101mm with DIN Rail



IP65/55 Terminal Boxes

Model	Description
TB20C	Enclosure c/w 5x4mm DIN Terminals + 1x4mm Earth Terminals & End Stop 30A
TB30C	88x88x53mm Enclosure c/w 5x2.5mm Terminals 20A
TB31C	98x98x61mm Enclosure c/w 5x4mm Terminals 25A
TB32C	119x139x70mm Enclosure c/w 5x6mm Terminals 32A
TB33C	125x167x82mm Enclosure c/w 5x10mm Terminals 50A



Enclosed Starters

Direct On-line & Star/Delta

Model	Description
-------	-------------

Plastic Enclosure IP65, 20mm Entry, Pre-wired

SR01D	4kW DOL Starter 240V AC Coil
SR02D	4kW DOL Starter 415V AC Coil
SR03D	7.5kW DOL Starter 240V AC Coil
SR04D	7.5kW DOL Starter 415V AC Coil

Metal Enclosure IP55, Pre-wired

SR12C	7.5kW 240V AC DOL Starter with Isolator
SR13C	7.5kW 415V AC DOL Starter with Isolator
SD20C	7.5kW 240V AC Star Delta Starter with Isolator
SD21C	7.5kW 415V AC Star Delta Starter with Isolator
SD22C	15kW 240V AC Star Delta Starter with Isolator
SD23C	15kW 415V AC Star Delta Starter with Isolator

See below for matching overloads

Overloads

To Suit Contactors Or Starters

Model	Description	DOL Rating	Star/Delta Rating
OL01D	Overload Manual Reset	0.6A-0.9A	-
OL02D	Overload Manual Reset	0.8A-1.2A	-
OL03D	Overload Manual Reset	1.2A-1.8A	-
OL04D	Overload Manual Reset	1.8A-2.7A	-
OL05D	Overload Manual Reset	2.7A-4.0A	-
OL06D	Overload Manual Reset	4.0A-6.0A	7.0A-10.5A
OL07D	Overload Manual Reset	6.0A-9.0A	10.5A-15.5A
OL08D	Overload Manual Reset	8.0A-11.0A	14.0A-19.0A
OL09D	Overload Manual Reset	10.0A-14.0A	18.0A-24.0A
OL10D	Overload Manual Reset	13.0A-18.0A	23.0A-31.0A

More ratings available upon request

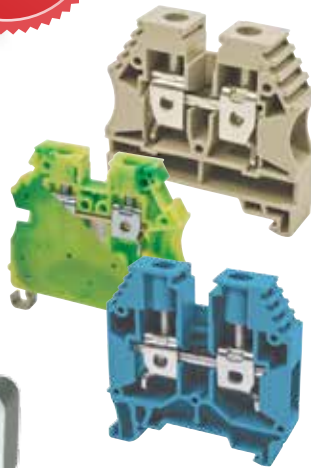
Changeover Switches

3 & 4 Pole, IP65

Model	Description
C0320	20A 3 Pole Changeover Switch
C0420	20A 4 Pole Changeover Switch
C0325	25A 3 Pole Changeover Switch
C0425	25A 4 Pole Changeover Switch
C0332	32A 3 Pole Changeover Switch
C0432	32A 4 Pole Changeover Switch
C0340	40A 3 Pole Changeover Switch
C0440	40A 4 Pole Changeover Switch
C0363	63A 3 Pole Changeover Switch
C0463	63A 4 Pole Changeover Switch

IP65 Enclosed Isolators

Model	Description
IS01C	20A 3 Pole Isolator
IS02C	20A 4 Pole Isolator
IS02CL	20A 4 Pole Isolator (Large) NEW
IS03C	25A 3 Pole Isolator
IS04C	25A 4 Pole Isolator
IS11C	32A 3 Pole Isolator
IS12C	32A 4 Pole Isolator
IS12CL	32A 4 Pole Isolator (Large) NEW
IS05C	40A 3 Pole Isolator
IS06C	40A 4 Pole Isolator
IS06CL	40A 4 Pole Isolator (Large) NEW
IS07C	63A 4 Pole Isolator
IS08C	63A 4 Pole Isolator
IS09C	80A 3 Pole Isolator
IS10C	80A 4 Pole Isolator
IS13C	100A 3 Pole Isolator
IS14C	100A 4 Pole Isolator
IS15C	125A 3 Pole Isolator
IS16C	125A 4 Pole Isolator
IS620	20A 6 Pole Isolator
IS820	20A 8 Pole Isolator
IS625	25A 6 Pole Isolator
IS825	25A 8 Pole Isolator
IS632	32A 6 Pole Isolator
IS832	32A 8 Pole Isolator
IS640	40A 6 Pole Isolator
IS840	40A 8 Pole Isolator
IS663	63A 6 Pole Isolator
IS863	63A 8 Pole Isolator
IS680	80A 6 Pole Isolator
IS880	80A 8 Pole Isolator
ISA11	Aux. Contact Side Mount (1NO + 1NC)



IP65 Enclosed Switches

20Amp

Model	Description
ES06	2 Pole On/Off 90°
ES08	4 Pole On/Off 90°
ES21	2 Pole Changeover with Centre Off
ES23	4 Pole Changeover with Centre Off
ES40	3 Pole Motor Reversing



Other voltages available

IP65 Footswitch

Model	Description
FT01C	Shrouded 1NO + 1NC



Multi-Function Timer Features:-

- A On Delay
- B Off Delay
- C On Delay with Control Input
- D Off Delay with Control Input
- E Rising Edge Triggered Off Delay
- F Falling Edge Triggered Off Delay
- ...



IP66 Enclosures

Complete with DIN Rail

Model	Description
EN11C	Enclosure + DIN-Rail (75x125x75mm)
EN12C	Enclosure + DIN-Rail (125x125x75mm)
EN13C	Enclosure + DIN-Rail (125x125x100mm)
EN14C	Enclosure + DIN-Rail (125x175x75mm)
EN15C	Enclosure + DIN-Rail (125x175x100mm)
EN16C	Enclosure + DIN-Rail (125x175x125mm)
EN17C	Enclosure + DIN-Rail (175x175x100mm)
EN18C	Enclosure + DIN-Rail (175x175x125mm)
EN19C	Enclosure + DIN-Rail (175x175x150mm)
EN20C	Enclosure + DIN-Rail (175x250x100mm)
EN21C	Enclosure + DIN-Rail (175x250x150mm)
EN23C	Clear Lid Enclosure + DIN-Rail (125x125x75mm)
EN24C	Clear Lid Enclosure + DIN-Rail (125x175x100mm)
EN25C	Clear Lid Enclosure + DIN-Rail (125x175x100mm)

DIN Terminals

For mounting on DIN Rail

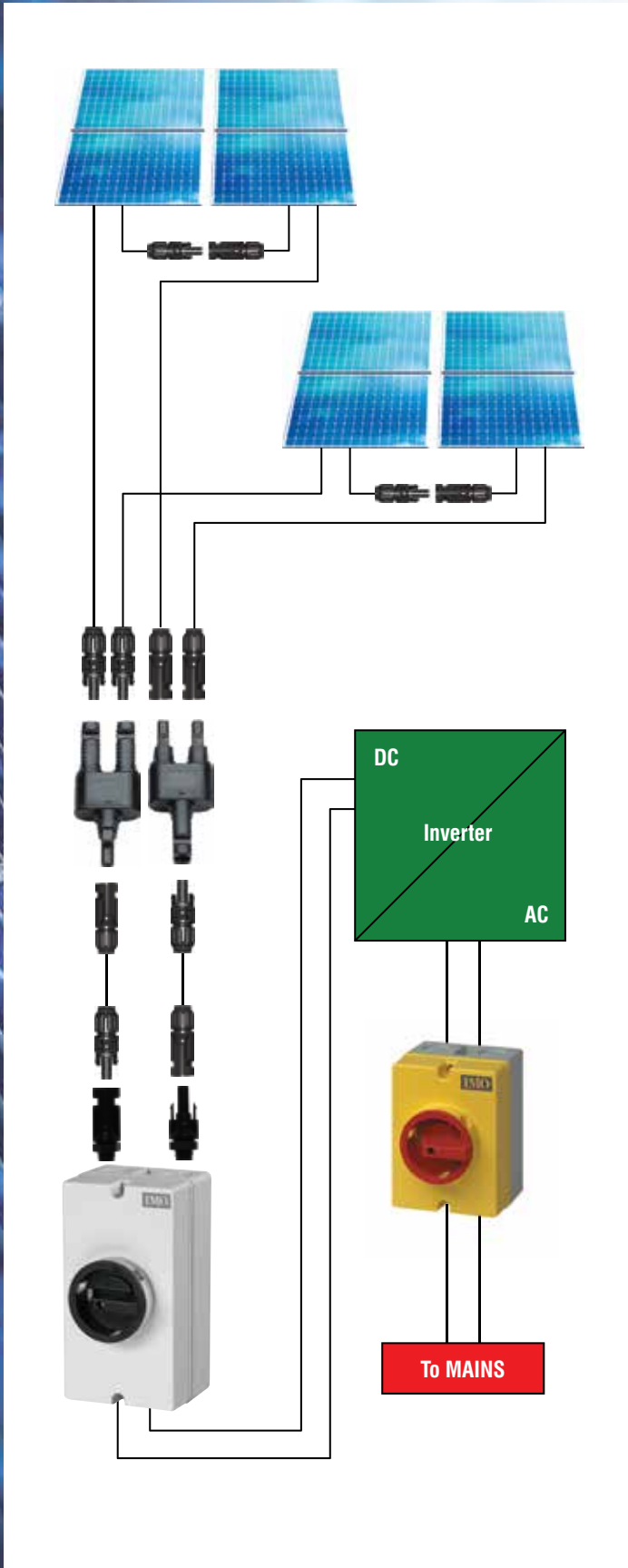
Model	Description
TB01C	10x 2.5mm Terminals + 10x Markers
TB02C	10x 4mm Terminals + 10x Markers
TB03C	5x 10mm Terminals + 10x Markers
TB04C	3x 16mm Terminals + 3x End Plates + 10x Markers
TB05C	2x 35mm Terminals + 10x Markers
TB06C	DIN Terminal Accessory Kit - 2x End Plates (2.5-10mm), 2x End Brackets, 2x Partition, 2x 4mm Earth Terminals, 1x 4mm Neutral Terminals & 10x Markers
TB07C	3x Fuse Holders + 3x End Plates
TB08C	5x 4mm Blue Neutral Terminals
TB09C	5x 4mm Green/Yellow Earth Terminals
TB10C	3x 16mm Green/Yellow Earth Terminals
TB11	2.5mm Terminals (Box of 100)
TB12	4mm Terminals (Box of 100)
TB13	10mm Terminals (Box of 100)
TB14	16mm Terminals (Box of 100)
TB15C	1x 70mm Terminal
TB17	4mm Earth Terminals (Box of 50)
TB19	End Brackets (Box of 100)
DR01C	1m Length of 35x7.5mm Slotted DIN Rail

Multi-Function Timer

1 Pole Changeover 10A Relay Output

Model	Description
TM34C	DIN Rail Mountable Timer 24-250VAC/DC

solar product range



TRUE DC Isolators

Available from IMO is our TRUE DC Isolator that has been specifically developed for arduous DC disconnect applications, the IMO SI range of solar isolators features an operator independent trigger ratchet mechanism resulting in switching times of less than 5ms. High reliability knife edge contacts and long arc cooling chambers ensure safe and effective isolation of DC voltages within solar installations.

Available in 2 to 8 pole versions in a wide variety of mounting and handle configurations, the IMO SI solar isolator range is suitable for most OEM or site installation applications.

Model	Description	Qty
SI02C	16 Amp 800V DC 2 Pole 1 String	1
SI04C	25 Amp 600V DC 2 Pole 1 String	1
SI05C	32 Amp 600V DC 2 Pole 1 String	1
SI06C	16 Amp 800V DC 4 Pole 2 String	1
SI08C	25 Amp 600V DC 4 Pole 2 String	1
SI09C	32 Amp 600V DC 4 Pole 2 String	1



Solar Connectors

Mobile connectors are used to connect PV panel in series. They also link lengths of cabling and allow connection to Branch and Panel connectors. Branch connectors are used to link multiple strings together allowing, for example, a 2 pole (single string) DC isolator to switch both strings at the same time.

Panel connectors mount on solar string boxes, enclosed DC isolators and any other enclosed DC switching device allowing easy connection to the rest of the PV system.

Key features:

- 1000V DC 30A Rated
- For 4-6mm² Cables
- Secure Easy Clip and Release Systems
- IP67 Protection
- UL94-5VA Fire Protection
- Class 2 protection

Model	Description	Qty
SC01C	Male Mobile Connector	5
SC02C	Female Mobile Connector	5
SC03C	Male Panel Connector	5
SC04C	Female Panel Connector	5
SC05C	MFF/FMM Branch Connector	1 Pair
SC06C	Male Connector Metal Insert	10
SC07C	Female Connector Metal Insert	10



Also Available From Your Leading Supplier Of Choice

From a single product to a complete application solution, IMO has the product range and knowledge to meet today's most demanding application requirements.

The IMO Automation and Controls range fully addresses the sense, control and switch demands of today's factory automation and control environment. In terms of choice, the IMO line-up is peerless, offering everything today's engineer needs. From circuit protection and panelware to PLCs and AC drives. The first company in Europe to do so, IMO gives a no-quibble three year warranty on the majority of its electronics based control components and a five year warranty on its successful range of IMO Jaguar Drives.



IMO Electronics is at the leading edge of electro-mechanical PCB component technology, with a range of highly specified products designed to meet the most demanding applications. The company offers one of the most competitive, high quality and comprehensive PCB relay and Terminal Block connector ranges available, supported by sophisticated IT systems and infrastructure. The Electronics Division at IMO is perfectly positioned to meet all vendor and administration reduction requirements.

All products are manufactured to IMO's defined specification applying rigorous quality assurance and reliability standards. IMO products are built to comply with all relevant international approvals.

- Cam Switches
- DIN Rail Terminals
- Enclosures
- Isolators & Switch Fuses
- MCB, RCCD & RCBO's
- Motor Circuit Breakers
- Motor Control Gear
- Power Supplies
- Signal Conditioning
- Sockets
- Timers
- Fieldbus Remote I/O
- HMI's
- Intelligent Relays
- Limit Switches
- Photoelectric Switches
- PLC's
- Proximity Switches
- Safety Limit Switches
- Signal Conditioning
- Jaguar VXG 0.37-710kW
- Jaguar VXR 0.4-15kW
- Jaguar CUB 0.4-4kW
- Jaguar VXH 0.75-710kW
- Jaguar VXA 0.75-710kW
- Audible Devices
- PCB Terminal Blocks
- Relays - Automotive
- Relays - Power
- Relays - Signal
- Relays - Industrial
- DC Isolators
- High Isolation Relays
- Junction Boxes
- Terminals
- Solar Connectors
- Solar Panel Rapid Shutdown

Available From:-



IMO Point Of Sale products are now being distributed worldwide

Errors and omissions excepted. Subject to change without notice. Information correct at time of print.

IMO Precision Controls Ltd

The Interchange, Frobisher Way, Hatfield, Hertfordshire AL10 9TG UK
 Tel: +44 (0)20 8452 6444 Fax: +44 (0)20 8450 2274
 Web: www.imopc.com Email: imo@imopc.com

CAT-POS2017