



## ***iDrive 2***

# **AC Variable Speed Inverter Drives**

**0.4kW - 2.2kW (0.5HP - 3HP)**



# iDrive 2 (XKL Series)

## AC Variable Speed Inverter Drives 0.4kW - 2.2kW (0.5HP - 3HP)

If you are a machine builder looking for a high volume cost-effective solution, or an occasional user looking for a drive that is easy to set up, the iDrive 2 is the ultimate variable speed drive for you!

iDrive 2 is simple to commission using the detachable keypad. For volume users there is a free software package that will allow the bulk transfer of complete parameter sets.

A range of EMC filter options makes the iDrive 2 suitable for virtually every industrial, commercial or domestic application.

- RS485/Modbus RTU built-in
- Up to 150% starting torque
- Detachable Keypad (with potentiometer)
- PID Control mode as standard
- Brake chopper built-in
- Easy to install
- Side by side mounting (fan cooled models)
- Simple Parameter menu
- Single Phase, 0.4kW~2.2kW
- Three Phase, 0.75kW~2.2kW
- 5 operation indication LEDs
- Temperature range -10°C ~ 50°C
- DC braking as standard
- Thermostatic cooling fan
- 0-10V & 0-20mA analog inputs
- 0-10V & 0-20mA analog output
- Drive mount filter option
- 4/5 Digital inputs
- Password function
- 2 year warranty
- RoHS compliant
- CE certified
- C2 & C3 Filter options
- Enclosure IP20

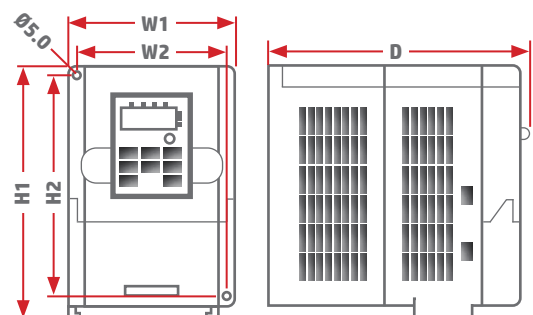


# iDrive 2 Technical Specifications

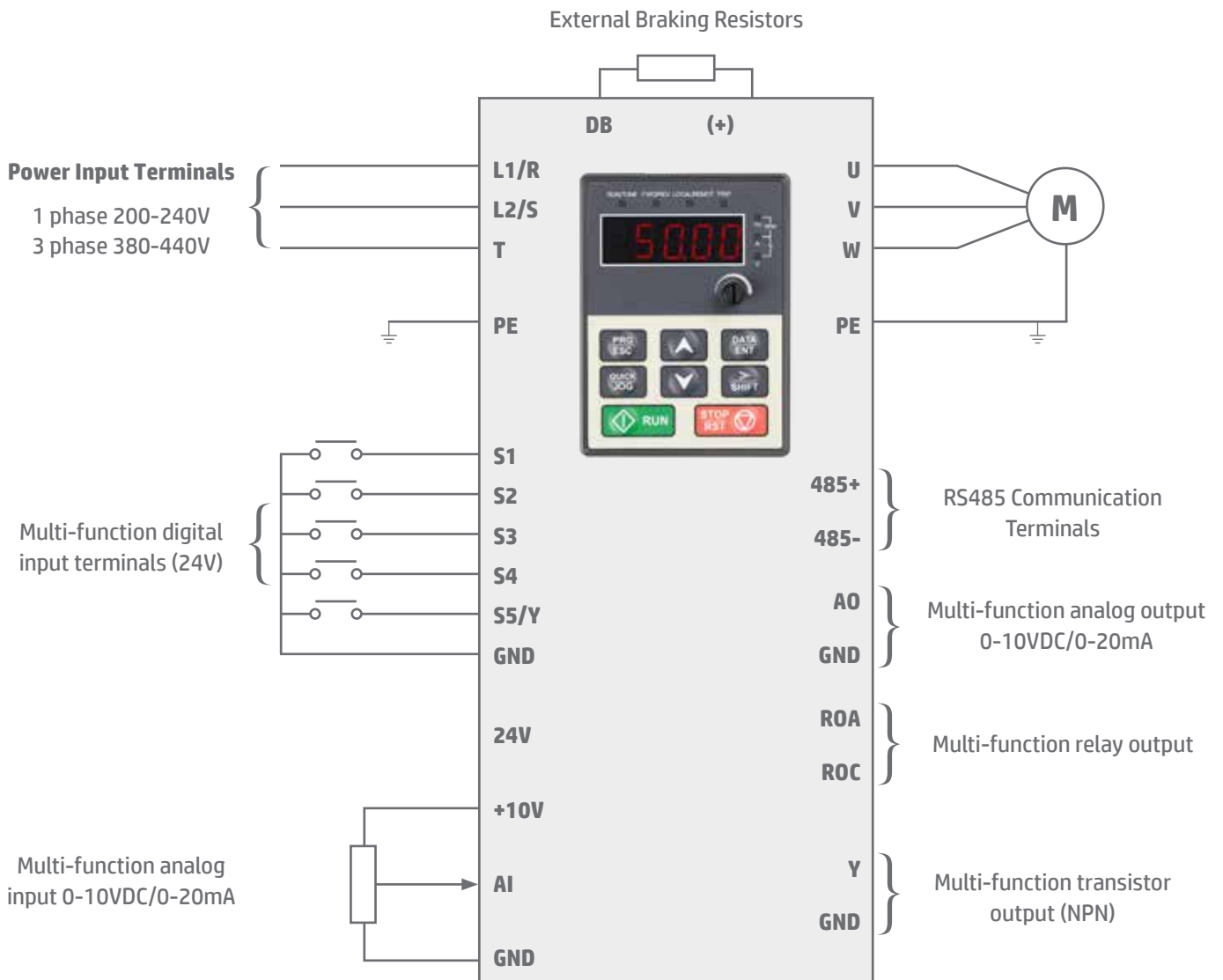
		Single Phase Input				Three Phase Input			
Inverter Type		XKL-040-21	XKL-075-21	XKL-150-21	XKL-220-21	XKL-075-43	XKL-150-43	XKL-220-43	
Output Ratings	Nominal Applied Motor	kW	0.4	0.75	1.5	2.2	0.75	1.5	2.2
	Rated Capacity	kVA	0.50	0.94	1.88	2.75	0.94	1.88	2.75
	Frequency	Hz	0-400				0-400		
	Rated Voltage	V	0 ~ Supply Voltage				0 ~ Supply Voltage		
	Rated Current	A	2.5	4.2	7.5	10	2.5	4.2	5.5
	Overload Capacity	A	150% of rated output current for 1 minute				150% of rated output current for 1 minute		
		180% of rated output current for 10 seconds				180% of rated output current for 10 seconds			
		200% of rated output current for 1 second				200% of rated output current for 1 second			
Input Ratings	Rated Current	A	6.5	9.3	15.7	24	3.2	4.3	7.1
	Rated Voltage	V	Single Phase 200-240V (-15%, +10%)				Three Phase 380-440V (-15%, +10%)		
	Frequency	Hz	47-63				47-63		
	MCCB Rating	A	16		25	50	10		16
	Contacting Rating	A	10	16		32	10		
	Fuse Rating	A	16		25	40	6	10	16
Cable Sizes	Mains Supply Cable								
	Motor Cable	mm <sup>2</sup>	1.5	1.5	2.5	2.5	1.5	2.5	2.5
	Earth Cable								
	Braking Resistor Cable								
	Braking Resistor	Ω	42		30	21	100		54
		W	60	110	230	330	110	230	330
	Cooling Method		Natural		Fan		Natural	Fan	
	Enclosure	IP	IP20				IP20		
Weight	kg	1.4	1.4	1.6	1.7	1.7	1.7	1.7	

## iDrive 2 Wall Mounting Dimensions (mm)

Model		W1	W2	H1	H2	D
Single-phase 230v	XKL-040-21	85.0	74.0	145.5	131.5	134.2
	XKL-075-21	85.0	74.0	145.5	131.5	134.2
	XKL-150-21	100.0	89.0	170.5	154.0	153.2
	XKL-220-21	100.0	89.0	170.5	154.0	153.2
Three-phase 400v	XKL-075-43	85.0	74.0	145.5	131.5	153.2
	XKL-150-43	100.0	89.0	170.5	154.0	153.2
	XKL-220-43	100.0	89.0	170.5	154.0	153.2



## iDrive 2 Power & Control Connections



## iDrive 2 Filters

Earth leakage currents are often problematic when using small drives, but not with the new XKL range. There are several filter options available to suit the environment in which the inverter will be installed, and all are low leakage designs.

Shown here are the low-cost clip-on C3, and the panel-mount C2, ultra low leakage filters designed to suit industrial environments.

If you want more information regarding EMC filtering, please contact the IMO technical team.

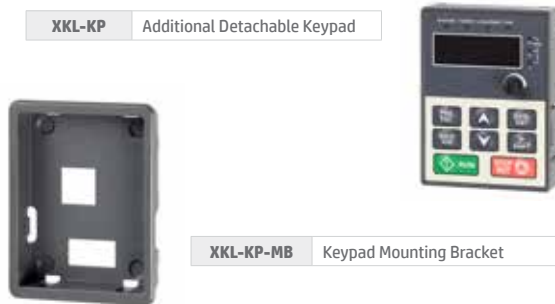


## iDrive 2 Options & Ordering Codes

<b>XKL - 150 - 21</b>	
<b>Series</b>	<b>Input Voltage</b>
iDrive 2	21 Input 200-240V Single Phase
XKL	43 Input 380-440V Three Phase
<b>Nominal Power</b>	
0.4kW	40
0.75kW	75
1.5kW	150
2.2kW	220



## iDrive 2 Accessories Ordering Codes



## iDrive 2 Filters Options & Ordering Codes

	iDrive 2	C3 Filter	Current	C2 Filter	Current
Single-phase 230v	XKL-040-21	RFC3-3S	3A	RF29A-1A	29A
	XKL-075-21	RFC3-3S	3A	RF29A-1A	29A
	XKL-150-21	RFC3-10S	10A	RF29A-1A	29A
	XKL-220-21	RFC3-10S	10A	RF29A-1A	29A
Three-phase 400v	XKL-075-43	RFC3-6	6A	RF15A-4A	15A
	XKL-150-43	RFC3-6	6A	RF15A-4A	15A
	XKL-220-43	RFC3-6	6A	RF15A-4A	15A



## Powerful, configurable and cost-effective

For single and three-phase applications up to 2.2kW, the iDrive 2 is the ideal solution for a great variety of applications including Industrial, Commercial and Medical amongst others. With a 2-year warranty, iDrive 2 offers complete peace of mind.



## IMO Worldwide Offices

### IMO Precision Controls Limited

The Interchange  
Frobisher Way  
Hatfield, Herts AL10 9TG  
United Kingdom

Tel: 01707 414 444  
Fax: 01707 414 445  
Email: imo@imopc.com  
Web: www.imopc.com

### IMO Jeambrun Automation SAS

5, Rue Alfred De Musset  
94100  
Saint-Maur-Des-Fosses  
France

Tel: 0800 912 712 (n° gratuit)  
Fax: 0145 134 737  
Email: imo-fr@imopc.com  
Web: www.imojeambrun.fr

### IMO Automazione

Via Belfiore 10,  
50144 Firenze (FI)  
Italia

Tel: 800 930 872 (toll free)  
Fax: 8000 452 6445  
Email: imo-it@imopc.com  
Web: www.imopc.it

### IMO Canada

1B-701 Rossland Road East  
Suite #608  
Whitby, Ontario L1N 9K3  
Canada

Tel: 416 639 0709

Email: sales-ca@imopc.com  
Web: www.imopc.com

### IMO Automation LLC

Steeplechase Industrial Park  
Suite E, 5845 Steeplechase Blvd  
Cumming, GA 30040  
USA

Tel: 404 476 8810

Email: sales-na@imopc.com  
Web: www.imoautomation.com

### IMO South Africa (Pty) Ltd

Unit 12A, Longclaw Drive  
Montague Gardens  
Cape Town 7441  
South Africa

Tel: 021 551 1787  
Fax: 021 555 0676  
Email: info@imopc.co.za  
Web: www.imopc.co.za

### IMO Pacific Pty Ltd

Unit 9, Dillington Pass  
Landsdale  
Perth WA 6065  
Australia

Tel: 1300 34 21 31  
Fax: 08 9303 9908  
Email: sales@imopacific.com.au  
Web: www.imopacific.com.au



Errors and omissions excepted. Subject to change without notice. Information correct at time of print.